



PHILIPS

GERÄTEHANDBUCH BAND III

BEBILDERTE ERSATZTEILLISTE

STROMVERSORGUNG

PP - 4621

VOM

VHF - SYSTEM

VRC - 4622

1. ALLGEMEINES

2. ERSATZTEILLISTE

3. ABBILDUNGEN

4. ÜBERSETZUNGSLISTE
ENGLISCH/DEUTSCH

POWER SUPPLY UNIT
PP-4621

9551 690 53300

REPAIR PARTS LIST

MARCH 1987

MANUAL No.

HGT5-2122e



© HOLLANDSE SIGNAALAPPARATEN B.V., 1986
- THIS INFORMATION CARRIER CONTAINS
PROPRIETARY INFORMATION WHICH MAY NOT
BE USED FOR OTHER PURPOSES THAN THOSE
FOR WHICH IT HAS BEEN RELEASED, NOR
BE REPRODUCED OR DISCLOSED TO THIRD
PARTIES, WHITHOUT THE PRIOR WRITTEN
CONSENT OF HOLLANDSE SIGNAALAPPARATEN
B.V., THE NETHERLANDS.

Repair parts List PP-4621

PREFACE

1) General

This manual is a list of items authorized for operator (first echelon) organizational (second echelon), field (third echelon) and depot (fourth and fifth echelon) maintenance.

The unit is divided in subassemblies as indicated on page 3.

From the subassemblies, the maintenance repair parts are listed in alpha numerical order.

The fastening material of a repair part is listed directly below this repair part and the quantities of this fastening material are given for one repair part only. Fastening material for parts which are not repair parts, are listed as the maintenance repair parts mentioned above.

2) Explanation of columns

Column 1 lists the NATO stocknumber of the item

Column 2 lists the Manufacturing Code Number of the item

Column 3 lists the official name of the item and any additional description required for supply operations

Column 4 lists the quantities of the item, used in the next higher assembly of this item.

Unless otherwise indicated, the quantities are given in pieces.

Column 5 lists the echelon which is authorized to make a request for the item

Column 6 lists the number of the figure, which shows the location of the item

Column 7 lists the key number of the item on the figure, mentioned in column 6

Repair parts List PP-4621

3) Abbreviations

The abbreviations listed below may appear in this manual

al-alloy	aluminium alloy
br	brass
bz	bronze
cd	cadmium
cd-pltd	cadmium-plated
cr	chromium
corr-res-s	corrosion-resistant steel
fl-fil-hd	flat fillister head
id	inside diameter
l	length
ni-s	nickel-steel
ni-pltd	nickel plated
od	outside diameter
p-bz	phosphor bronze
posn	position
ru	rubber
s	steel
thk	thick
tot	total

Repair parts List PP-4621

POWER SUPPLY UNIT PP-4621 type 9551 690 53300

This equipment consists of the following subassemblies:

FRAME ASSEMBLY, MODULE 38	page 4
MODULE 36	page 14
MODULE 37	page 22
LIST OF FIGURES PP-4621	page 26

Repair parts List PP-4621

Line No.	NATO Stocknumber	Mfg. Code No.	Description	Qua	Ech	Fig No	Key No	Remarks
	1	2	3	4	5	6	7	8
1	5820-17-052-4420	3522 154 38800	FRAME ASSEMBLY, MODULE, 38 <u>consisting of the following spare parts:</u>	1	3	1	1	
2	5340-17-033-1512	3522 105 42040	BLOCK; cr-ni-s; to guide stacked units	2	3	2	3	
3		2522 001 17171	<u>secured with:</u> SCREW, FL-FIL-HD; corr-res-s; type AM 4 x 10 NEN 1602	2	3			
4	5310-17-033-6249	2522 613 03009	WASHER, LOCK; p-bz ni-pltd; type B 4,1 NEN 1197	2	3			
5		3522 114 05480	BLOCK	2	4	4	14	
6		2522 001 17046	<u>secured with:</u> SCREW, FL-FIL-HD; corr-res-s; type AM 2 x 8 NEN 1602	2	4			
7		2522 613 12001	WASHER, LOCK; corr-res-s; type B 2,1 NEN 1197	2	4			
8		3522 114 05520	BLOCK	2	4	4	22	
9		2522 001 17046	<u>secured with:</u> SCREW, FL-FIL-HD; corr-res-s; type AM 2 x 8 NEN 1602	2	4			
10		2522 613 12001	WASHER, LOCK; corr-res-s; type B 2,1 NEN 1197	2	4			

Repair parts List PP-4621

Line No.	NAVO Stocknumber	Mfg. Code No.	Description	Qua	Ech No	Fig No	Key No	Remarks
	1	2	3	4	5	6	7	8
1		2422 016 05002	<u>FRAME ASSEMBLY (continued)</u> BLOCK	1	4	4	5	
2		2522 401 09008	<u>secured with:</u> NUT, HEXAGON; corr-res-s; type M 3	1	4			
3		2522 187 21066	SCREW, FL-HD; corr-res-s; type M 3 x 8	1	4			
4		2522 613 12005	WASHER, LOCK; corr-res-s; type 3,1 x 6,2	1	4			
5		3522 105 42920	BRACKET, ANGLE; cr-ni-s	3	4	4	6	
6		2522 001 17097	<u>secured with:</u> SCREW, FL-FIL-HD; corr-res-s; type AM 3 x 6 NEN 1602	2	4			
7		3522 114 07700	BRACKET, ANGLE; cr-s	4	4	4	11	
8		2522 187 21023	<u>secured with:</u> SCREW, FL-HD; corr-res-s; type AM 2 x 6 NEN 2329	2	4			
9	5340-12-141-3252	2512 700 12025	CABLE, CLIP	1	4	4	4	
10		2522 401 09008	<u>secured with:</u> NUT, HEXAGON; corr-res-s; type M 3 NEN 1560	1	4			
11		2522 187 21068	SCREW, FL-HD; corr-res-s; type AM 3 x 12 NEN 2329	1	4			

Repair parts List PP-4621

Line No.	NATO Stocknumber	Mfg. Code No.	Description	Qua	Ech	Fig No	Key No	Remarks
	1	2	3	4	5	6	7	8
1		2522 600 27017	<u>FRAME ASSEMBLY (continued)</u> WASHER, FLAT; corr-res-s; type A 3,2 NEN 2269	1	4			
2		2522 613 12005	WASHER, LOCK; corr-res-s; type B 3,1 NEN 1197	1	4			
3		2222 071 18332	CAPACITOR, FIXED, ELECTROLYTIC; 3300 uF; 63 V (C2)	1	4	4	2	
4		2222 630 03472	CAPACITOR, FIXED, CERAMIC DIELECTRIC; 4700 pF 10 & 100 V (C3 thru C16, mounted on PD1 and PD2)	14	4	3		
5	5935-00-835-3031	3522 020 38190	CONNECTOR, RECEPTACLE, ELECTRICAL; 26 male contacts bayonet; type MS 3112 E-16-26 P <u>secured with:</u>	2	4	4	4	
6		2522 001 17098	SCREW, FL-FIL-HD; corr-res-s; type AM 3 x 8 NEN 1602	4	4			
7	5310-17-015-5052	2522 613 03005	WASHER, LOCK; p-bz ni-pltd; type B 3,1 NEN 1197	4	4			
8	5935-00-081-7810	3522 020 72110	CONNECTOR; RECEPTACLE, ELECTRICAL; 15 male contacts <u>secured with:</u>	2	4	3	4	
9		2522 001 17046	SCREW, FL-FIL-HD; cor-res-s; type AM 2 x 8 NEN 1602	2	4			

Repair parts List PP-4621

Line No.	NATO Stocknumber	Mfg. Code No.	Description	Qua	Ech No	Fig No	Key No	Remarks
	1	2	3	4	5	6	7	8
1		2522 600 27151	<u>FRAME ASSEMBLY (continued)</u> WASHER, FLAT; corr-res-s; type A 2,2 NEN 2269	2	4			
2		2522 613 12001	WASHER, LOCK; corr-res-s; type B 2,1 NEN 1197	2	4			
3	5935-00-081-7810	3522 020 72110	CONNECTOR, RECEPTACLE, ELECTRICAL; 15 male contacts	2	4	4	13	
4		2522 001 17046	<u>secured with:</u> SCREW, FL-FIL-HD; corr-res-s; type AM 2 x 8 NEN 1602	2	4			
5		2522 600 27151	WASHER, FLAT; corr-res-s; type A 2,2 NEN 2269	2	4			
6		2522 613 12001	WASHER, LOCK; corr-res-s; type B 2,1 NEN 1197	2	4			
7	5940-17-033-1471	3522 020 38240	CONTACT, ELECTRICAL; br ni-pltd; 1 pole	2	4	2	2	
8	5935-17-052-4036	3522 154 11000	COVER, ELECTRICAL CONNECTOR <u>secured with:</u>	2	2	2	7	
9		2522 001 17045	SCREW, FL-FIL-HD; corr-res-s; type AM 2 x 6 NEN 1602	1	2			
10	5310-17-033-4820	2522 613 03001	WASHER, LOCK; p-bz ni-pltd; type B 2,1 NEN 1197	1	2			

Repair parts List PP-4621

Line No.	NATO Stocknumber	Mfg. Code No.	Description	Qua	Ech	Fig No	Key No	Remarks
	1	2	3	4	5	6	7	8
			FRAME ASSEMBLY (continued)					
1		3522 143 10270	FRONT; for Module 38 <u>secured with:</u>	1	4	2	1	
2		2522 401 09011	NUT, HEXAGON; corr-res-s; type M 4 NEN 1560	4	4			
3		2522 001 17449	SCREW, FL-FIL-HD; corr-res-s; type AM 4 x 16 NEN 1602	4	4			
4		2522 613 12009	WASHER, LOCK; corr-res-s; type B 4,1 NEN 1197	4	4			
5	5961-17-036-9378	9390 091 70002	INSULATION, SEMICONDUCTOR DEVICE	1	4	4	9	
6	5330-17-033-5825	2622 080 30708	O-RING; ru; 10,31 mm od, 6,75 mm id; 1,78 mm thk; to ensure the power Supply unit PP-4621 is airtight	1	4	2	9	
7	5330-17-033-5209	2622 080 30993	O-RING; ru; 29,05 mm od; 23,81 mm id; 2,62 mm thk; for Connector, receptacle electrical	2	4	2		
8		3522 114 10000	PIN; cr-ni-s	4	4	4	16	
9	5315-17-033-0184	3522 114 00500	PIN, SHOULDER, HEADED; cr-ni-s; to guide stacked units	2	3	2	5	
10		3522 114 05460	PLATE; cr-ni-s	4	4	4	12	

Repair parts List PP-4621

Line No.	NATO Stocknumber	Mfg. Code No.	Description	Qua	Ech	Fig No	Key No	Remarks
	1	2	3	4	5	6	7	8
1		3522 114 79600	<u>FRAME ASSEMBLY (continued)</u> PLATE; br tin-pltd <u>secured with:</u>	1	4	3	5	
2		2522 001 17099	SCREW, FL-FIL-HD; corr-res-s; type M 3 x 10	2	4			
3		3522 114 01340	SPACER; cr-ni-s	2	4			
4		2522 613 03005	WASHER, LOCK; p-bz ni-pltd; type 3 x 5,7	2	4			
5	5820-17-052-4494	3522 147 50120	PLATE ASSEMBLY, MODULE 38A <u>secured with:</u>	1	4	4	7	
6		2522 001 17097	SCREW, FL-FIL-HD; corr-res-s; type M 3 x 6	6	4			
7		2522 600 27017	WASHER, FLAT, corr-res-s; type M 3	6	4			
8		2522 613 12005	WASHER, LOCK, corr-res-s; type 3,1 x 6,2 <u>consisting of the following spare</u>	6	4			
9	5910-00-054-0547	3522 030 00970	<u>parts:</u> CAPACITOR, FIXED, ELECTROLYTIC; 47 uF 35 V (C1)	1	4	8		
10	5905-01-021-1491	2322 151 51002	RESISTOR, FIXED, FILM; 1 kohm 1 %; (R5 thru R7)	3	4	8		

Repair parts List PP-4621

Line No.	NATO Stocknumber	Mfg. Code No.	Description	Qua	Ech	Fig No	Key No	Remarks
	1	2	3	4	5	6	7	8
1	5905-17-05-7358	2322 192 31501	<u>PLATE ASSEMBLY, MODULE 38A part of</u> <u>FRAME ASSEMBLY (continued)</u> RESISTOR, FIXED, FILM; 150 ohm 5 % (R1)	1	4	8		
2		2322 192 32209	RESISTOR, FIXED, FILM; 22 ohm 5 % (R11)	1	4	8		
3		2322 192 33301	RESISTOR, FIXED, FILM; 330 ohm 5 % (R8 thru R10)	3	4	8		
4		2322 329 35127	RESISTOR, FIXED, WIRE WOUND; 0,12 ohm 10 % 5 W (R12, R13)	2	4	8		
5		2322 329 35477	RESISTOR, FIXED, WIRE WOUND; 0,47 ohm 10 % 5 W (R4)	1	4	8		
6		2322 329 35688	RESISTOR, FIXED, WIRE WOUND; 6,8 ohm 10 % 5 W (R2, R3)	2	4	8		
7		9331 185 60113	SEMICONDUCTOR DEVICE, DIODE; type BAV 10 (GR2, GR3)	2	4	8		
8	9905-17-052-4032	3522 154 36500	PLATE, DESIGNATION; al-alloy; 23 x 67 mm	1	3	2	6	
9		2522 001 17044	<u>secured with:</u> SCREW, FL-FIL-HD; corr-res-s; type AM 2 x 5 NEN 1602	4	3			
10	5310-17-033-4820	2522 613 03001	WASHER, LOCK; p-bz ni-pltd; type B 2,1 NEN 1197	4	3			

Repair parts List PP-4621

Line No.	NATO Stocknumber	Mfg. Code No.	Description	Qua	Ech No	Fig No	Key No	Remarks
	1	2	3	4	5	6	7	8
1	5820-17-052-4421	3522 147 50220	<u>FRAME ASSEMBLY (continued)</u> PLUG-BOARD ASSEMBLY	1	4	4	20	
2		2522 401 09005	<u>secured with:</u> NUT, HEXAGON; corr-res-s; type M 2 NEN 1560	6	4			
3	5305-17-052-4110	3522 114 02960	SCREW, CAPTIVE; cr-ni-s; type AM 4 x 12	1	4			
4		2522 187 21023	SCREW, FL-HD; corr-res-s; type AM 2 x 6 NEN 2329	6	4			
5		2522 600 27151	WASHER, FLAT; corr-res-s; type A 2,2 NEN 2269	6	4			
6		2522 613 12001	WASHER, LOCK; corr-res-s; type B 2,1 NEN 1197	6	4			
7		2222 630 19472	CAPACITOR, FIXED, CERAMIC DIELECTRIC; 4700 pF, 10 %, 100 V; (C1)	1	4	9		
8		4322 027 73420	TERMINAL BLOCK; 1 x 7 poles	1	4	9	1	
9	5935-17-052-7791	4322 027 73430	TERMINAL BLOCK; 1 x 8 poles	3	4	9	2	

Repair parts List PP-4621

Line No.	NATO Stocknumber	Mfg. Code No.	Description	Qua	Ech No	Fig No	Key No	Remarks
	1	2	3	4	5	6	7	8
1	5950-17-033-1521	3522 149 11591	<u>FRAME ASSEMBLY (continued)</u> REACTOR (L1)	1	4	4	17	
2		2522 401 09011	<u>secured with:</u> NUT, HEXAGON; corr-res-s; type M 4 NEN 1560	4	4			
3		2522 001 17171	SCREW, FL-FIL-HD; corr-res-s; type AM 4 x 10 NEN 1602	4	4			
4		2522 600 27026	WASHER, FLAT; corr-res-s; type A 4,3 NEN 2269	4	4			
5		2522 613 12009	WASHER, LOCK; corr-res-s; type B 4,1 NEN 1197	4	4			
6	5945-17-047-0032	3522 020 53900	RELAY, ARMATURE; 26,5 V (RE1, RE2)	2	4	4	19	
7		2522 001 17097	<u>secured with:</u> SCREW, FL-FIL-HD; corr-res-s; type AM 3 x 6 NEN 1602	4	4			
8		3522 105 45750	SPACER; cr-ni-s	2	4			
9		2522 600 27017	WASHER, FLAT; corr-res-s; type A 3,2 NEN 2269	2	4			
10		2522 613 12005	WASHER, LOCK; corr-res-s; type B 3,1 NEN 1197	4	4			
11	5305-17-032-9886	3522 114 00300	SCREW, FL-FIL-HD; cr-ni-s; type M 5	1	4	2	8	

Repair parts List PP-4621

Line No.	NAVO Stocknumber	Mfg. Code No.	Description	Qua	Ech No	Fig No	Key No	Remarks
	1	2	3	4	5	6	7	8
1	5330-17-033-0204	3522 114 00100	<u>FRAME ASSEMBLY (continued)</u> SEAL, RUBBER STRIP; ru nitril, black 249 x 49 x 4 mm	1	4	3	1	
2	5961-00-935-0148	9330 492 10112	SEMICONDUCTOR DEVICE, DIODE; type BYX 38-600 (GR1)	1	4	4	8	
3		3522 143 07640	SHIELD, PROTECTING	1	4	4	1	
4	5360-17-033-1145	3522 114 01100	SPRING, HELICAL, COMPRESSION; p-bz	4	4	4	15	
5		3522 114 05660	STRIP	2	4	4	3	
6	5930-17-905-9791	3522 023 06530	SWITCH, ROTARY; 4-poles, 3 posn.	2	4	3	3	
7	5940-17-029-1747	2422 015 01004	TERMINAL, LUG	1	4	4	10	
8		3522 143 06240	WIRING HARNESS	1	4	4	21	
9		3522 143 06830	WIRING HARNESS	1	4	4	18	

Repair parts List PP-4621

Line No.	NATO Stocknumber	Mfg. Code No.	Description	Qua	Ech	Fig No	Key No	Remarks
	1	2	3	4	5	6	7	8
1	5820-17-052-4416	3522 143 05040	<u>MODULE, 36</u> consisting of the following spare parts:	1	3	1	2	
2		3522 114 06200	BRACKET; cd-pltd	1	4	10	3	
3		3522 114 06800	BRACKET; cd-pltd	1	4	10	2	
4		3522 114 06600	COVER, for module <u>secured with:</u>	1	4	10	1	
5		2522 001 17097	SCREW, FL-FIL-HD; corr-res-s; type AM 3 x 6 NEN 1602	2	4			
6		2522 613 12005	WASHER, LOCK; corr-res-s; type B 3,1 NEN 1197	2	4			
7	5315-17-052-4490	3522 114 04300	PIN, PILOT; cr-ni-s; M2; tot 1 12,5 mm	1	4	10	4	
8	5315-17-052-4489	3522 114 04500	PIN, PILOT; cr-ni-s; M2; tot 1 12,5 mm	2	4	10	6	
9	5340-17-052-4518	3522 114 06300	SPACER; cr-ni-s	1	4	10	5	

Repair parts List PP-4621

Line No.	NATO Stocknumber	Mfg. Code No.	Description	Qua	Ech No	Fig No	Key No	Remarks
	1	2	3	4	5	6	7	8
1	5820-17-052-4417	3522 147 50020	MODULE, 36 (continued) STABILISER, 16 V + 16 V, 36 A	1	3	5	1	
2	5305-17-033-8433	2522 001 08044	<u>secured with:</u> SCREW, FL-FIL-HD; br ni-pltd; type AM 2 x 5 NEN 1602	4	3			
3	5310-17-036-0809	2522 600 10151	WASHER, FLAT; br ni-pltd;	4	3			
4	5310-17-033-4820	2522 613 03001	type A 2,2 NEN 2269 WASHER, LOCK; p-bz ni-pltd;	4	3			
5		2222 630 01272	type B 2,1 NEN 1197 CAPACITOR, FIXED, CERAMIC DIELECTRIC;	2	4	5		
6		2222 630 01472	2700 pF 10 %; 100 V (C1, C6) CAPACITOR, FIXED, CERAMIC DIELECTRIC;	6	4	5		
7		2222 630 03272	4700 pF 10 %; 100 V (C11, C13 thru C15, C17, C18) CAPACITOR, FIXED, CERAMIC DIELECTRIC;	2	4	5		
8		2222 630 03472	2700 pF 10 %; 100 V; (C4, C9) CAPACITOR, FIXED, CERAMIC DIELECTRIC;	2	4	5		
9		2222 122 55338	4700 pF 10 %; 100 V (C12, C16) CAPACITOR, FIXED, ELECTROLYTIC;	2	4	5		
10	5910-17-052-6658	2222 122 57337	3,3 uF 50 %; 16 V (C3, C8) CAPACITOR, FIXED, ELECTROLYTIC;	2	4	5		
			0,33 uF 50 %; 40 V (C2, C7)	2	4	5		

Repair parts List PP-4621

Line No.	NATO Stocknumber	Mfg. Code No.	Description	Qua	Ech No	Fig No	Key No	Remarks
	1	2	3	4	5	6	7	8
			<u>STABILISER, 16 V + 16 V, 36A part of MODULE, 36 (continued)</u>					
1	5910-00-154-0547	3522 030 00970	CAPACITOR, FIXED, ELECTROLYTIC; 47 uF 20 %; 35 V (C5, C10)	2	4	5		
2	5935-17-052-7937	2422 062 10802	CONNECTOR, RECEPTACLE, ELECTRICAL	2	4	5	3	
3	5970-17-036-0255	3522 114 02800	INSULATOR, PLATE; for Capacitor C1, C6, C10, C11, C13 thru C15, C17	8	4	5	5	
4	5999-17-050-2871	3522 114 11100	INSULATOR, PLATE; for Capacitor (C4, C9, C12, C16)	4	4	5	4	
5	5962-00-493-6621	3522 030 10590	INTEGRATED CIRCUIT (IC1, IC2)	2	4	5		
6	5905-01-021-1491	2322 151 51002	RESISTOR, FIXED, FILM; 1 kohm 1 %; (R5, R6, R15, R16)	4	4	5		
7	5905-01-041-2780	2322 151 52152	RESISTOR, FIXED, FILM; 2,15 kohm 1 %; (R1, R11)	2	4	5		
8	5905-01-038-7843	2322 151 53832	RESISTOR, FIXED, FILM; 3,83 kohm 1 %; (R4, R8, R14, R18, R21, R22)	6	4	5		
9	5905-01-053-3915	2322 151 55623	RESISTOR, FIXED, FILM; 56,2 kohm 1 %; (R9, R19)	2	4	5		
10	5905-01-067-0808	2322 151 56811	RESISTOR, FIXED, FILM; 681 ohm 1 %; (R3, R13)	2	4	5		
11	5905-01-016-0003	2322 151 56812	RESISTOR, FIXED, FILM; 6,81 kohm 1 %; (R10, R20)	2	4	5		

Repair parts List PP-4621

Line No.	NAVO Stocknumber	Mfg. Code No.	Description	Qua	Ech	Fig No	Key No	Remarks
	1	2	3	4	5	6	7	8
1	5905-01-021-1493	2322 151 58252	<u>STABILISER, 16 V + 16 V, 36A part of</u> <u>MODULE, 36 (continued)</u> RESISTOR, FIXED, FILM; 8,25 kohm 1 %; (R7, R17)	2	4	5		
2		2322 329 35277	RESISTOR, FIXED, WIRE WOUND; 0,27 ohm 10 %; 5 W; (R2, R12)	2	4	4	5	
3	5961-00-085-0326	3522 030 01430	SEMICONDUCTOR DEVICE, DIODE; type BAW 62 (GR1, GR2)	2	4	4	5	
4		3522 962 10190	SOLDERING PIN; for Resistor R2, R12	4	4	4	5	6
5	5940-17-042-3575	4022 007 45083	TERMINAL LUG	6	4	4	5	2

Repair parts List PP-4621

Line No.	NATO Stocknumber	Mfg. Code No.	Description	Qua	Ech No	Fig No	Key No	Remarks
	1	2	3	4	5	6	7	8
			<u>MODULE, 36 (continued)</u>					
1	5820-17-052-4418	3522 147 46920	STABILISER, 24 V + 16 V, 36B	1	3	6	1	
2	5305-17-033-8433	2522 001 08044	<u>secured with:</u> SCREW, FL-FIL-HD; br ni-pltd; AM 2 x 5 NEN 1602	4	3			
3	5310-17-036-0809	2522 600 10151	WASHER, FLAT; br ni-pltd;	4	3			
4	5310-17-033-4820	2522 613 03001	type A 2,2 NEN 2269 WASHER, LOCK; p-bz ni-pltd;	4	3			
5		2222 630 01272	type B 2,1 NEN 1197 CAPACITOR, FIXED, CERAMIC DIELECTRIC;	4	4	6		
6		2222 630 01472	2700 pF 10 %, 100 V (C1, C7, C10, C11) CAPACITOR, FIXED, CERAMIC DIELECTRIC;	4	4	6		
7		2222 630 03272	4700 pF 10 %; 100 V (C12, C13, C15, C16) CAPACITOR, FIXED, CERAMIC DIELECTRIC;	1	4	6		
8		2222 630 03472	2700 pF 10 %; 100 V (C4) CAPACITOR, FIXED, CERAMIC DIELECTRIC;	1	4	6		
9		2222 122 55338	4700 pF 10 %; 100 V (C14) CAPACITOR, FIXED, ELECTROLYTIC;	1	4	6		
10	5910-17-052-6658	2222 122 57337	3,3 uF 50 %; 16 V (C3) CAPACITOR, FIXED, ELECTROLYTIC;	2	4	6		
			0,33 uF 50 %; 40 V (C2, C9)					

Repair parts List PP-4621

Line No.	NATO Stocknumber	Mfg. Code No.	Description	Qua	Ech	Fig No	Key No	Remarks
	1	2	3	4	5	6	7	8
			<u>STABILISER, 24 V + 16 V, 36B part of</u> <u>MODULE, 36 (continued)</u>					
1	5910-00-154-0547	3522 030 00970	CAPACITOR, FIXED, ELECTROLYTIC; 47 uF 20 %; 35 V (C5)	1	4	6		
2	5935-17-052-7939	2422 062 10702	CONNECTOR, RECEPTACLE, ELECTRICAL; 1 x 7 poles	1	4	6	7	
3	5935-17-052-7937	2422 062 10802	CONNECTOR, RECEPTACLE, ELECTRICAL; 1 x 8 poles	1	4	6	3	
4	5970-17-009-9466	9390 004 90002	INSULATOR, DISK; for Transistor TS1 thru TS4	4	4	6	6	
5	5970-17-036-0255	3522 114 02800	INSULATOR, PLATE; for Capacitor C1, C7, C10 thru C13, C15, C16	8	4	6	5	
6	5999-17-050-2871	3522 114 11100	INSULATOR, PLATE; for Capacitor, C4, C14	2	4	6	4	
7	5962-00-493-6621	3522 030 10590	INTEGRATED CIRCUIT (IC1)	1	4	6		
8	5905-01-021-1491	2322 151 51002	RESISTOR, FIXED, FILM; 1 kohm 1 %; (R5, R6)	2	4	6		
9	5905-01-021-0991	2322 151 51003	RESISTOR, FIXED, FILM; 10 kohm 1 %; (R11, R12, R19)	3	4	6		
10	5905-01-015-8077	2322 151 51472	RESISTOR, FIXED, FILM; 1,47 kohm 1 %; (R15)	1	4	6		
11	5905-01-041-2780	2322 151 52152	RESISTOR, FIXED, FILM; 2,15 kohm 1 %; (R1, R13, R21)	3	4	6		

Repair parts List PP-4621

Line No.	NATO Stocknumber	Mfg. Code No.	Description	Qua	Ech	Fig No	Key No	Remarks
	1	2	3	4	5	6	7	8
			STABILISER, 24 V + 16 V, 36B part of MODULE, 36 (continued)					
1	5905-01-015-8086	2322 151 52612	RESISTOR, FIXED, FILM; 2,61 kohm 1 %; (R14, R16)	2	4	6		
2	5905-01-096-8509	2322 151 52614	RESISTOR, FIXED, FILM; 261 kohm 1 %; (R22)	1	4	6		
3	5905-01-038-7843	2322 151 53832	RESISTOR, FIXED, FILM; 3,83 kohm 1 %; (R4, R8, R23)	3	4	6		
4	5905-01-072-1410	2322 151 55621	RESISTOR, FIXED, FILM; 562 ohm 1 %; (R20)	1	4	6		
5	5905-01-053-3915	2322 151 55623	RESISTOR, FIXED, FILM; 56,2 kohm 1 %; (R9)	1	4	6		
6	5905-01-067-0808	2322 151 56811	RESISTOR, FIXED, FILM; 681 ohm 1 %; (R3)	1	4	6		
7	5905-01-016-0003	2322 151 56812	RESISTOR, FIXED, FILM; 6,81 kohm 1 %; (R10)	1	4	6		
8	5905-01-021-1493	2322 151 58252	RESISTOR, FIXED, FILM; 8,25 kohm 1 %; (R7)	1	4	6		
9		2322 329 35277	RESISTOR, FIXED, WIRE WOUND; 0,27 ohm 10 %; 5 W; (R2)	1	4	6		
10		2122 350 00045	RESISTOR, VARIABLE; 500 ohm 10 %; 0,75 W (R17)	1	4	6		

Repair parts List PP-4621

Line No.	NATO Stocknumber	Mfg. Code No.	Description	Qua	Ech	Fig No	Key No	Remarks
	1	2	3	4	5	6	7	8
			STABILISER, 24 V + 16 V, 36B part of MODULE, 36 (continued)					
1	5905-17-052-9088	2122 350 00048	RESISTOR, VARIABLE; 5 kohm 10 %; 0,75 W (R18)	1	4	6		
2	5961-00-085-0326	3522 030 01430	SEMICONDUCTOR DEVICE, DIODE; type BAW 62 (GR1)	1	4	6		
3	5961-99-037-3527	9330 000 40112	SEMICONDUCTOR DEVICE, DIODE; type OA 90 (GR6)	1	4	6		
4	5961-17-041-0847	9331 177 30113	SEMICONDUCTOR DEVICE, DIODE; type BZX 79/C5V6 (GR2 thru GR5)	4	4	6		
5		3522 962 10190	SOLDERING PIN; for Resistor R2	2	4	6	8	
6	5940-17-042-3575	4022 007 45083	TERMINAL LUG	3	4	6	2	
7	5961-17-027-6034	9330 116 30112	TRANSISTOR; type BFY 55 (TS1, TS2)	2	4	6		
8	5961-00-949-1440	9330 226 40112	TRANSISTOR; type BFY 90 (TS3, TS4)	2	4	6		

Repair parts List PP-4621

Line No.	NATO Stocknumber	Mfg. Code No.	Description	Qua	Ech	Fig No	Key No	Remarks
	1	2	3	4	5	6	7	8
1	5820-17-052-4419	3522 143 05050	<u>MODULE, 37</u>	1	3	1	3	
2	5305-17-033-1148	3522 114 25500	<u>secured with:</u> SCREW, CAPTIVE; cr-ni-s; type M5; thread 1 8 mm, shank 1 25 mm	4	3	7	14	
3		2522 613 12012	WASHER, LOCK; corr-res-s; typ B 5,1 NEN 1197	4	3			
4	5365-17-033-1472	3522 114 25400	<u>consisting of the following spare parts:</u> BUSHING, INSULATING; for Transistor TS2, TS4, TS6, TS8	4	4	7	13	
5	5970-17-033-0876	9390 269 20002	BUSHING, INSULATING; for Transistor TS1, TS3, TS5, TS7	4	4	7	9	
6		2222 630 03272	CAPACITOR, FIXED, CERAMIC DIELECTRIC; 2700 pF 10 8; 100 V (C1)	1	4	7	5	
7		3522 023 14000	CLAMP, BOTTOM	4	4	7	11	
8		3522 023 14010	CLAMP, TOP	4	4	7	10	
9	5935-00-061-6092	3522 020 72100	CONNECTOR, RECEPTACLE, ELECTRICAL <u>secured with:</u>	2	4	7	2	
10		2522 001 17045	SCREW, FL-FIL-HD; corr-res-s; type AM 2 x 6 NEN 1602	2	4			
11		2522 600 64007	WASHER, FLAT; corr-res-s; type 2,2 DIN 433	2	4			

Repair parts List PP-4621

Line No.	NATO Stocknumber	Mfg. Code No.	Description	Qty	Fig No	Key No	Remarks
	1	2	3	4	5	6	7
1		2522 613 12001	<u>MODULE, 37 (continued)</u> WASHER, LOCK; corr-res-s; type B 2,1 NEN 1197	2	4		
2	5315-17-033-1493	3522 114 25600	PIN, SHOULDER, HEADLESS; cr-ni-s; for the guiding of the Module	1	4	7	3
3		2522 401 09008	<u>secured with:</u> NUT, HEXAGON; corr-res-s; type M3; NEN 1560	1	4		
4		2522 613 12005	WASHER, LOCK; corr-res-s; type B 3,1 NEN 1197	1	4		
5	5315-17-033-1494	3522 114 25700	PIN, SHOULDER, HEADLESS; cr-ni-s; for the guiding of the Module	1	4	7	6
6		2522 401 09008	<u>secured with:</u> NUT, HEXAGON; corr-res-s; type M3; NEN 1560	1	4		
7		2522 613 12005	WASHER, LOCK; corr-res-s; type B 3,1 NEN 1197	1	4		
8		3522 154 43900	PLATE, COOLING	1	4	7	1
9	5949-17-029-1748	2422 015 01002	TERMINAL LUG; single flat M3	4	4	7	4
							8

Repair parts List PP-4621

Line No.	NAVO Stocknumber	Mfg. Code No.	Description	Qua	Ech	Fig No	Key No	Remarks
	1	2	3	4	5	6	7	8
1	5961-17-027-6034	9330 116 30112	MODULE, 37 (continued) TRANSISTOR; type BFY 55 (TS2, TS4, TS6)	3	4	7		
2		2522 001 17745	<u>secured with:</u> SCREW, FL-FIL-HD; corr-res-s; type AM 2,5 x 12 NEN 1602	2	4			
3		2522 600 64136	WASHER, FLAT; corr-res-s; type 2,7 x 7 NEN 2270	2	4			
4		2522 613 12063	WASHER, LOCK; corr-res-s; type B 2,7 NEN 1197	2	4			
5	5961-00-949-1440	9330 226 40112	TRANSISTOR; type 2N2905 (TS8)	1	4	7		
6		2522 001 17745	<u>secured with:</u> SCREW, FL-FIL-HD; corr-res-s; type AM 2,5 x 12 NEN 1602	2	4			
7		2522 600 64136	WASHER, FLAT; corr-res-s; type 2,7 x 7 NEN 2270	2	4			
8		2522 613 12063	WASHER, LOCK; corr-res-s; type B 2,7 NEN 1197	2	4			
9	5961-00-912-8444	9330 226 50112	TRANSISTOR; type 2N3055 (TS1, TS3, TS5)	3	4	7		
10		2522 401 09008	<u>secured with:</u> NUT, HEXAGON; corr-res-s; type M3; NEN 1560	2	4			

Repair parts List PP-4621

Line No.	NATO Stocknumber	Mfg. Code No.	Description	Qua	Ech	Fig No	Key No	Remarks
	1	2	3	4	5	6	7	8
			MODULE, 37 (continued)					
1		2522 001 17414	SCREW, FL-FIL-HD; corr-res-s; type AM 3 x 16 NEN 1602	2	4			
2		2522 600 27017	WASHER, FLAT; corr-res-s; type A 3,2 NEN 2269	4	4			
3		2522 613 12005	WASHER, LOCK; corr-res-s; type B 3,1 NEN 1197	2	4			
4	5961-00-904-2021	9330 869 40682	TRANSISTOR; type 2N3791 (TS7) <u>secured with:</u>	1	4	7		
5		2522 401 09008	NUT, HEXAGON; corr-res-s;	2	4			
6		2522 001 17417	type M 3 NEN 1560 SCREW, FL-FIL-HD; corr-res-s;	2	4			
7		2522 600 27017	type AM 3 x 16 NEN 1602 WASHER, FLAT; corr-res-s;	4	4			
8		2522 613 12005	type A 3,2 NEN 2269 WASHER, LOCK; corr-res-s;	2	4			
9	5999-17-023-7886	9390 000 30002	type B 3,1 NEN 1197 WASHER, LEAD, TRANSISTOR; for Transistor TS1, TS3, TS5, TS7	4	4	7	7	
10	5970-17-033-0877	9390 000 50002	WASHER, MICA, TRANSISTOR; for Transistor TS1, TS3, TS5, TS7	4	4	7	8	
11		3522 023 14020	WASHER, MICA, TRANSISTOR; for Transistor TS2, TS4, TS6, TS8	4	4	7	12	

Repair parts List PP-4621

List of Figures PP-4621

- Fig. 1 POWER SUPPLY UNIT PP-4621
- 2 FRONT, POWER SUPPLY UNIT PP-4621
- 3 FRONT, PP-4621 (inside view)
- 4 FRAME ASSEMBLY PP-4621
- 5 MODULE 36A, STABILISER, 16V + 16V
- 6 MODULE 36B, STABILISER, 24V + 16V
- 7 MODULE 37
- 8 PLATE ASSEMBLY 38A
- 9 PLUG-BOARD ASSEMBLY
- 10 MODULE 36

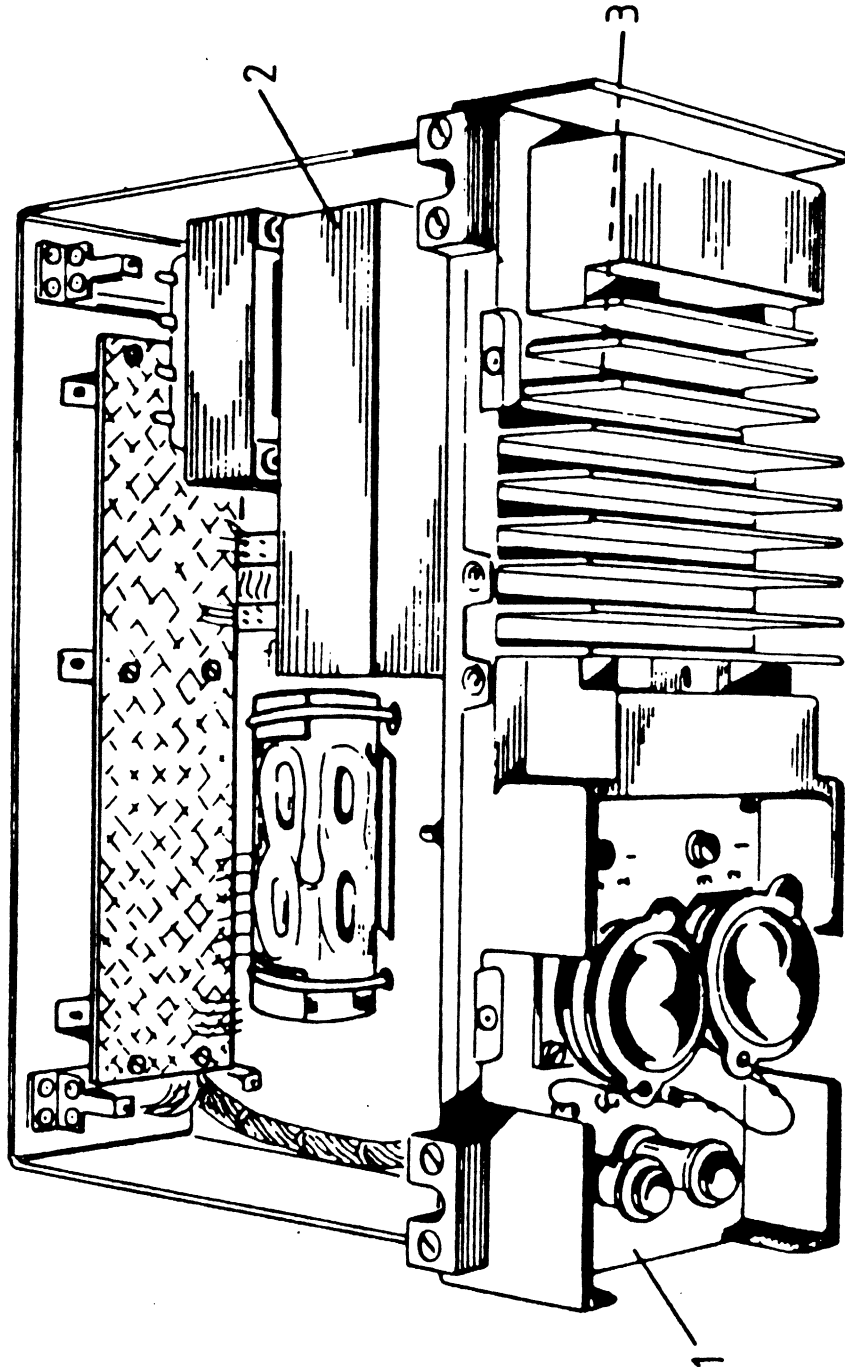


FIG 1. POWER SUPPLY UNIT PP-4621

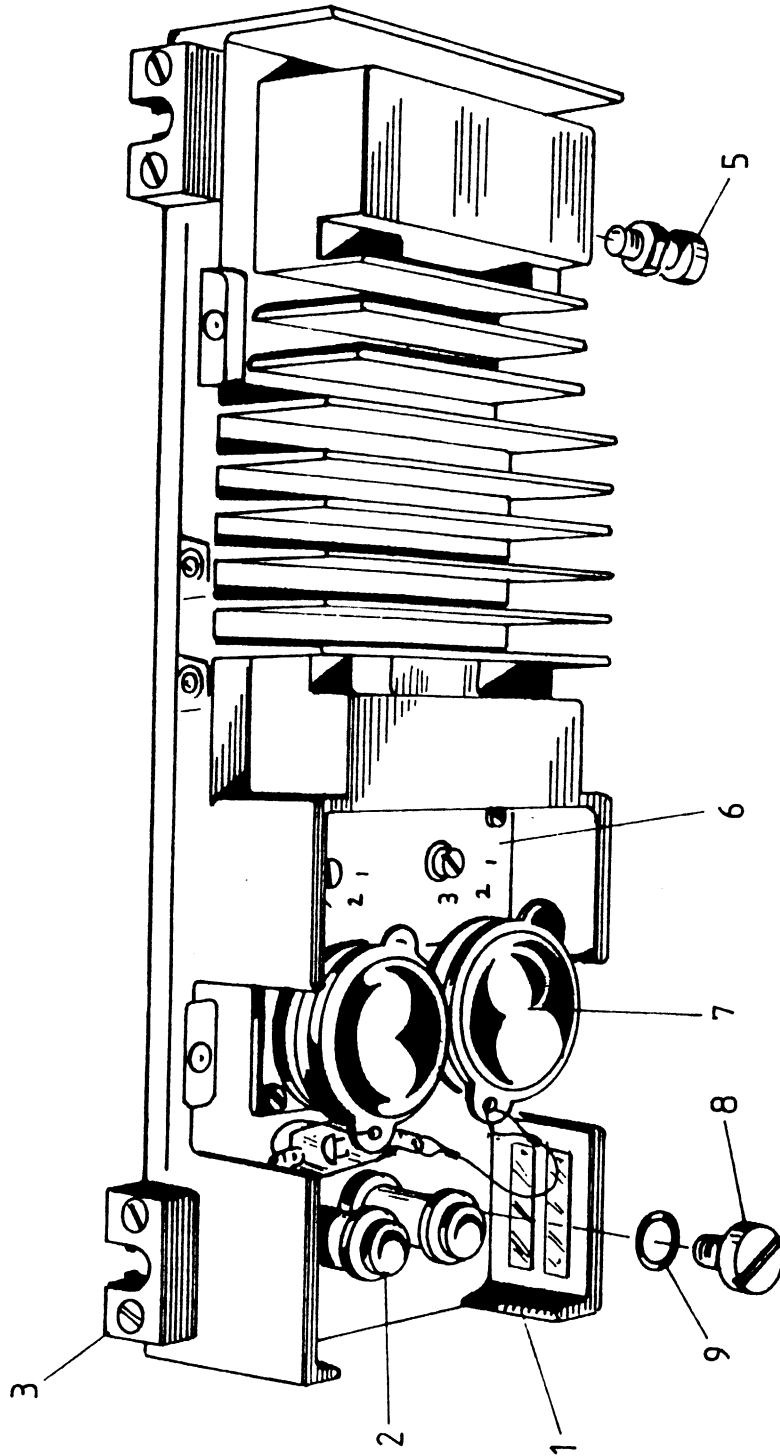


FIG. 2 FRONT, POWER SUPPLY UNIT PP-4621

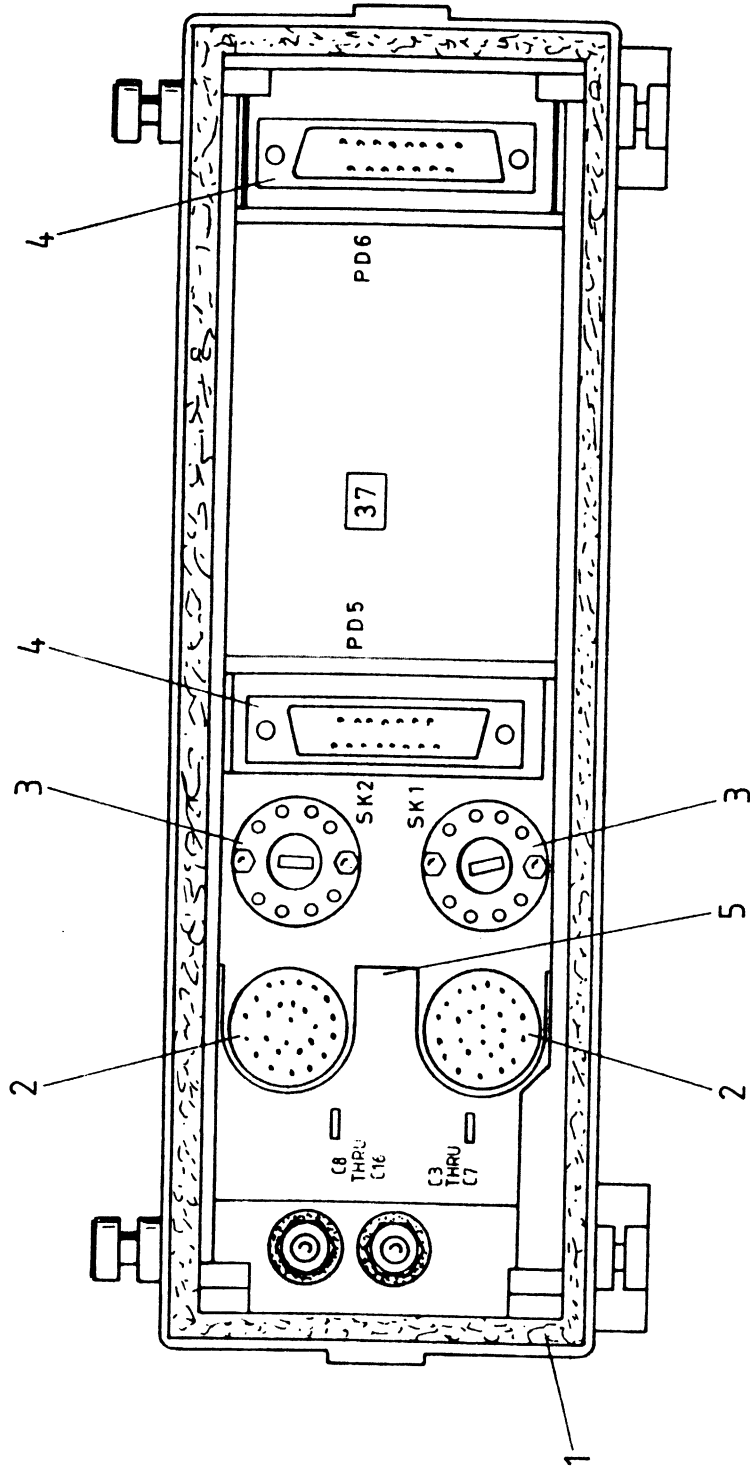


FIG. 3 FRONT, PP-4621 (INSIDE VIEW)

HGT5-2122e

Repair parts list PP-4621

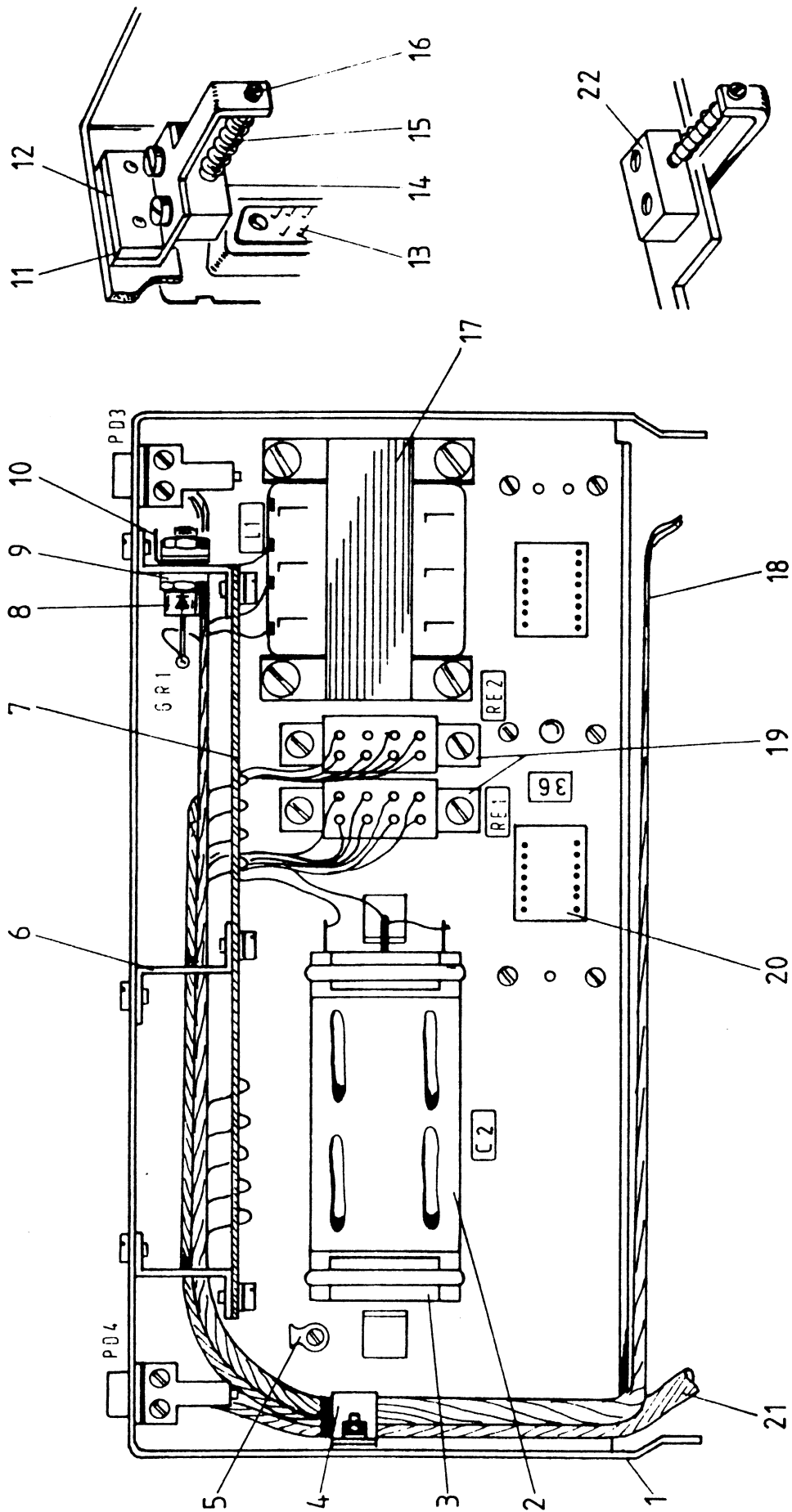
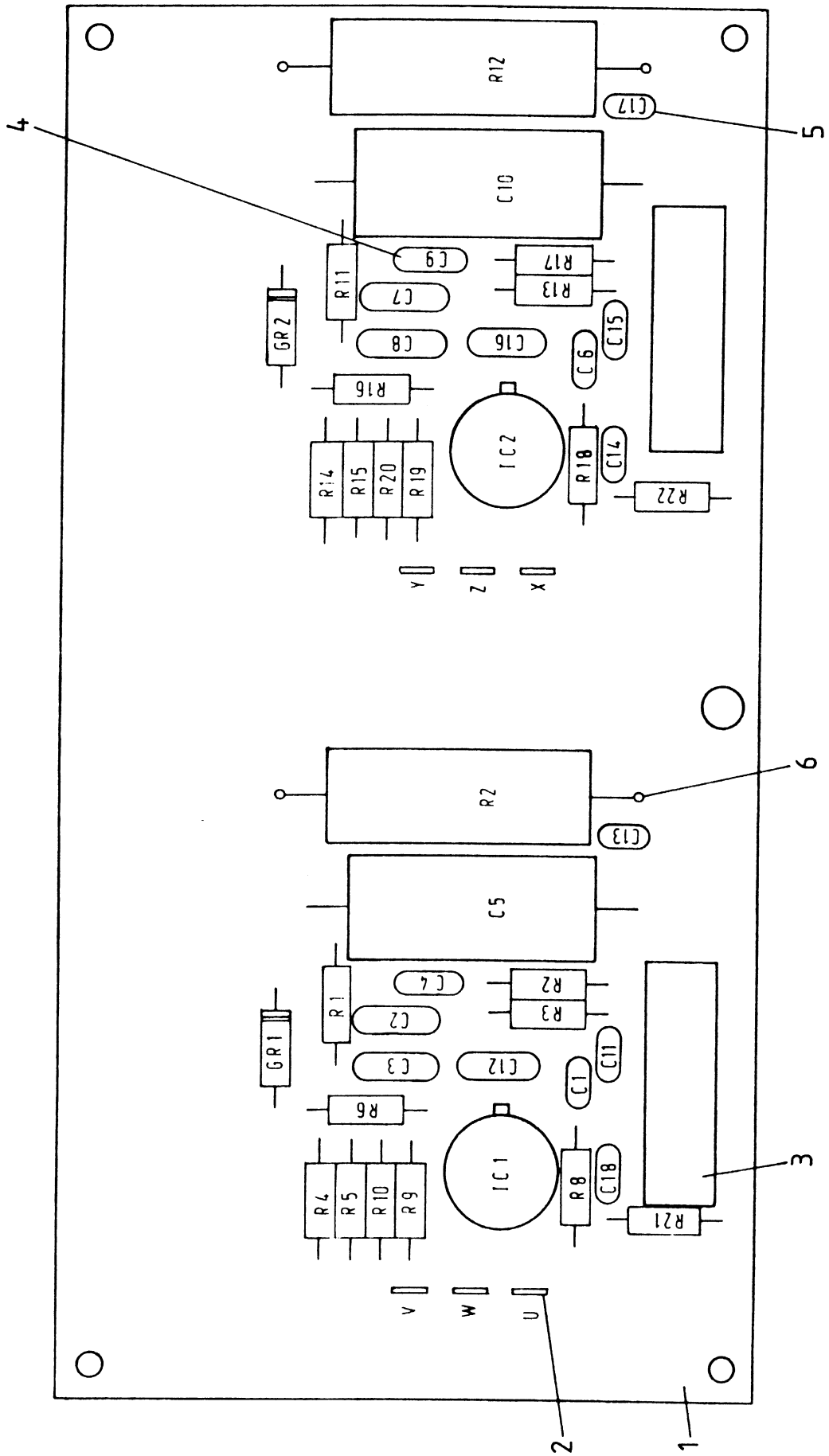


FIG.4 FRAME ASSEMBLY PP-4621

HGT5-2122e



HGT5-2122e

FIG. 5 MODULE 36A, STABILISER, 16V + 16V

Repair parts list PP-4621

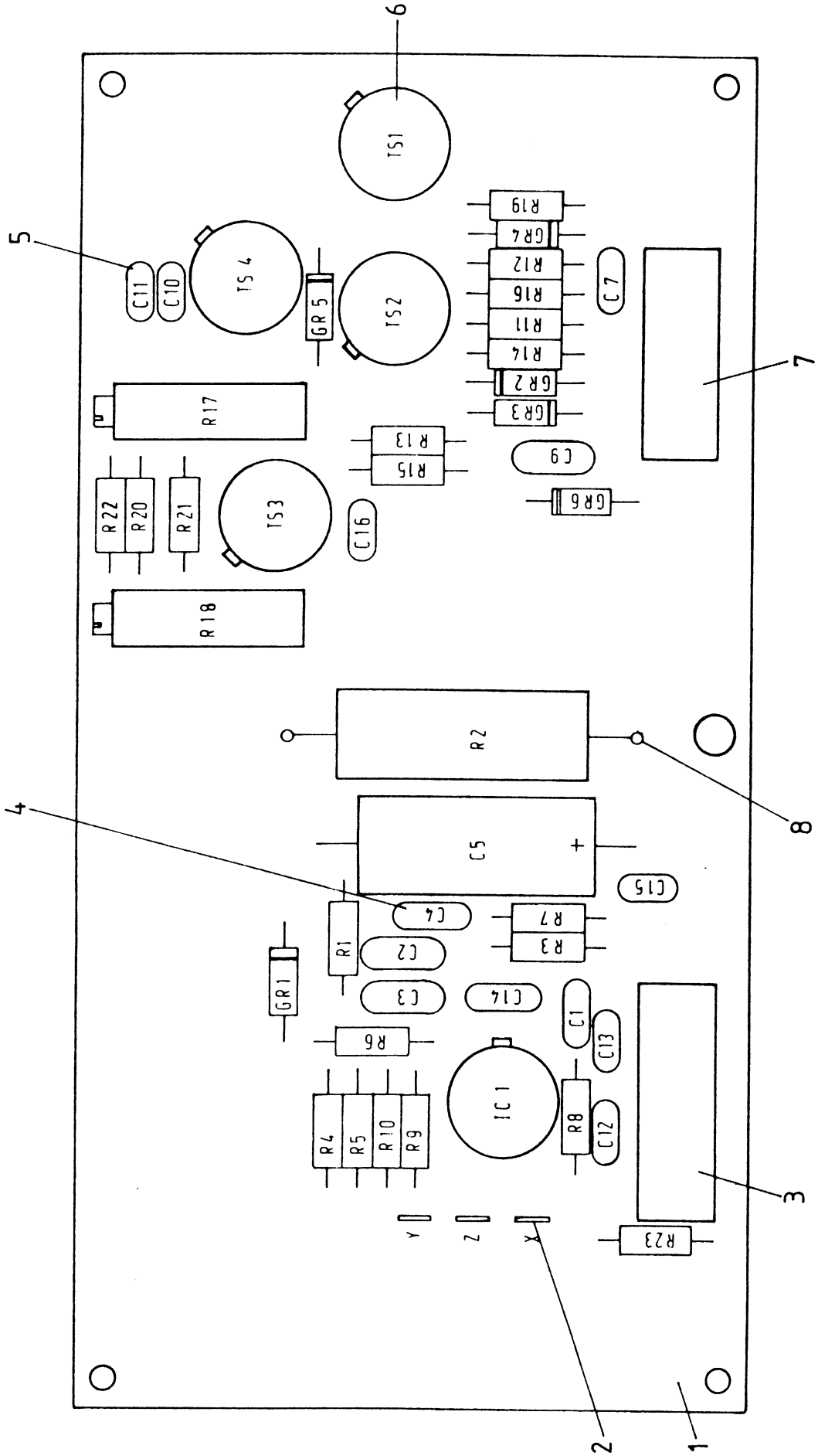


FIG. 6 MODULE 36B, STABILISER, 24V + 16V

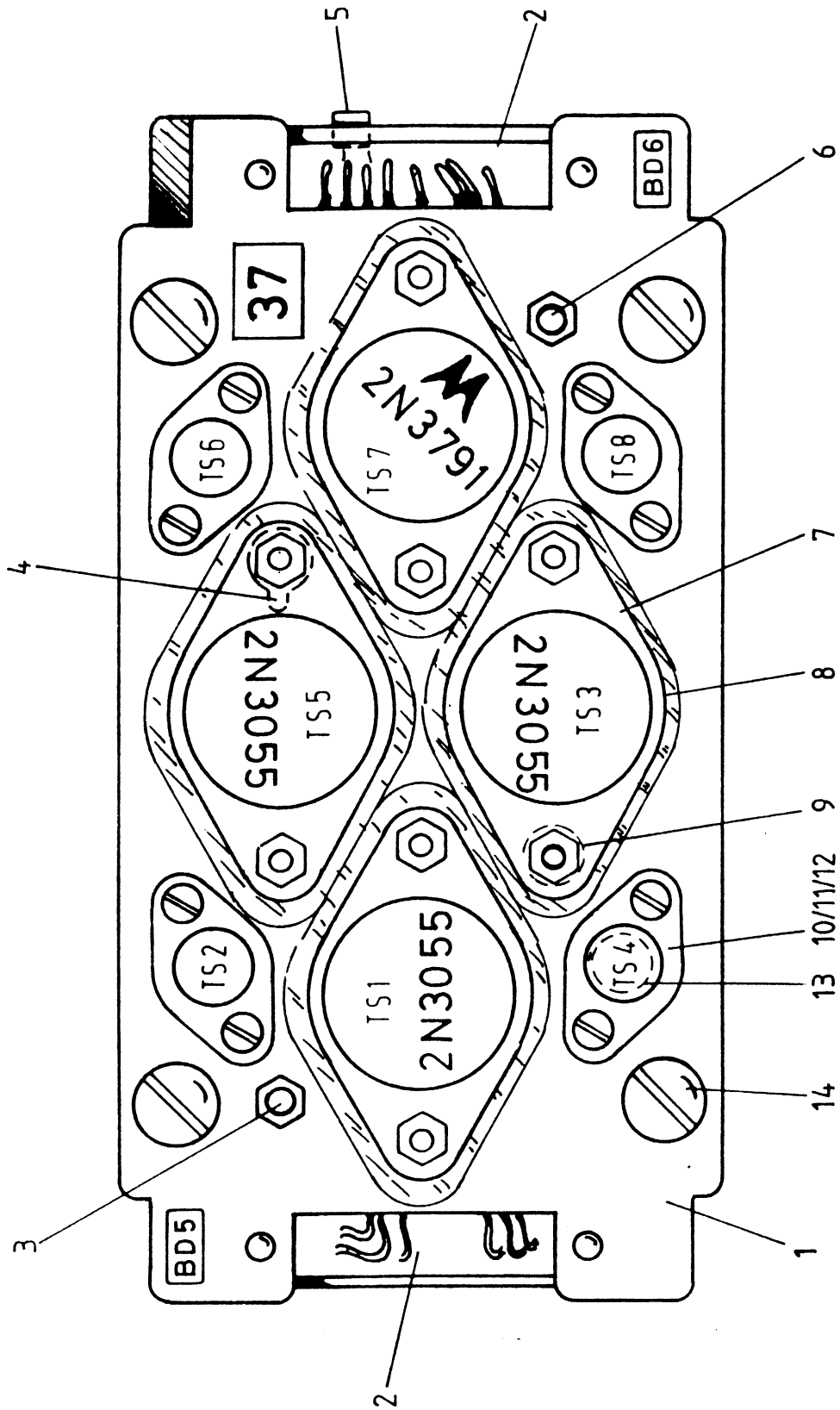


FIG. 7 MODULE 37

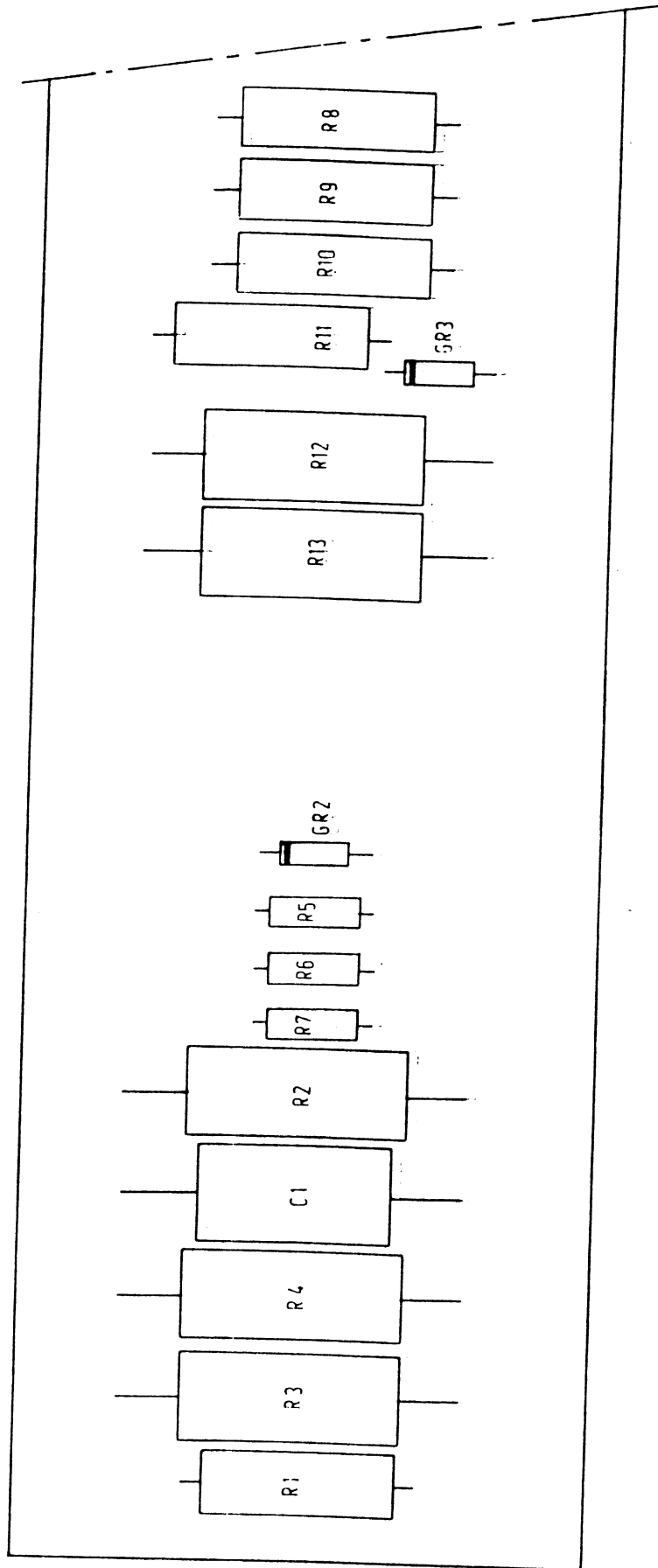


FIG. 8 PLATE ASSEMBLY 38 A

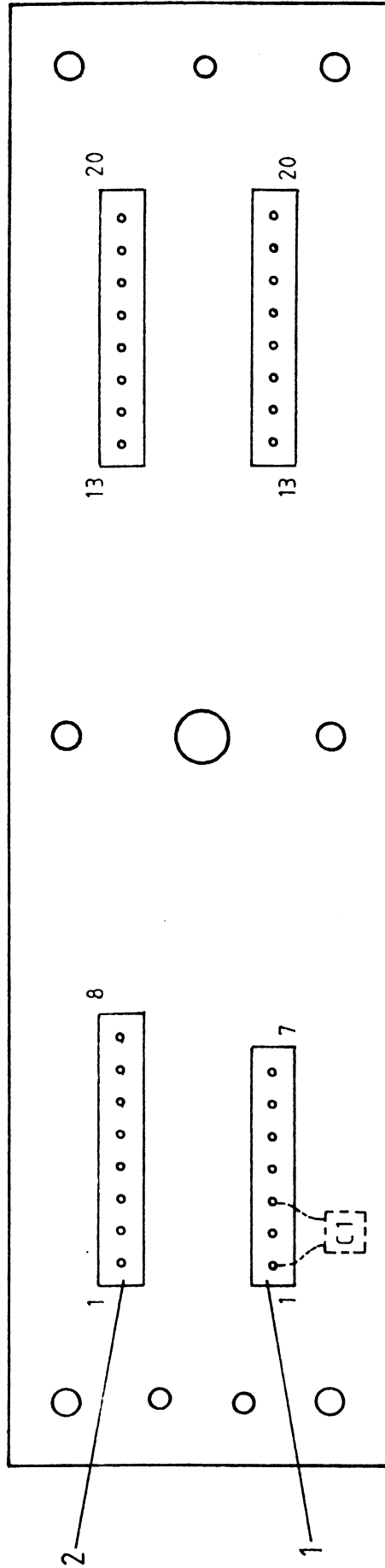
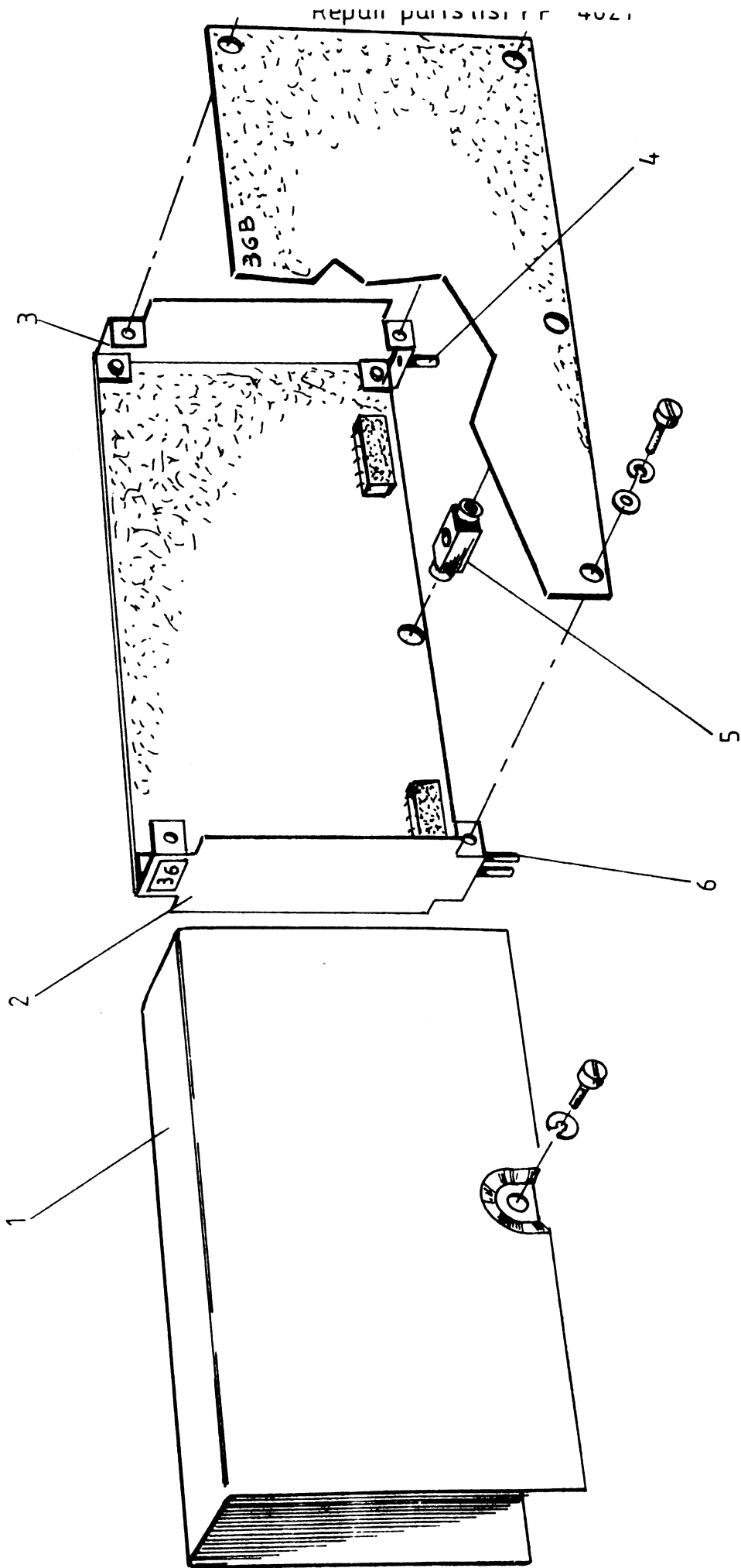


FIG. 9 PLUG-BOARD ASSEMBLY



КРПМ ПУИСТІІ Г 4021

HGT5-2122e
-45-

FIG.10 MODULE 36

**POWER SUPPLY UNIT
PP-4621**

**- STROMVERSORGUNGSEINHEIT
PP-4621**

Translation

- Übersetzung

Aluminium Alloy	- Aluminiumlegierung
Block	- Block
Bracket	- Halter
Bracket, Angle	- Winkelhalter
Brass	- Messing
Bronze	- Bronze
Bushing, Insulating	- Isolierbuchse
Cable, Clip	- Kabelschelle
Cadmium	- Cadmium
Cadmium-Plated	- Cadmiert
Capacitor, Fixed	- Kondensator, Fest
Chromium	- Chrom
Clamp, Bottom	- Befestigungsklemme, Unten
Clamp, Top	- Befestigungsklemme, Oben
Connector, Receptacle, Electrical	- Steckdose
Corrosion-Resistant Steel	- Korrosionsbeständiger Stahl
Cover	- Abdeckung
Cover, Electrical Connector	- Abdeckung, Steckverbinder
Description	- Beschreibung
Flat Filler Head	- Zylinder-Flachkopf
Frame Assembly	- Rahmen, Kpl.
Front	- Frontplatte
Inside Diameter	- Innendurchmesser
Inside View	- Innenansicht
Insulation, Semiconductor Device	- Halbleiterisolierstück
Insulator, Disk	- Isolierscheibe
Insulator, Plate	- Isolierplatte
Integrated Circuit	- Integrierte Schaltung
Length	- Länge
Line No. (Line Number)	- Zeile
List Of Figures	- Bildtafelübersicht
Mfg. Code No.	- Teilekennzeichen
Module	- Modul
NATO Stocknumber	- Versorgungsnummer
Nickel-Plated	- Vernickelt
Nickel-Steel	- Nickel-Stahl
Nut, Hexagon	- Mutter, Sechskant
O-Ring	- O-Ring
Outside Diameter	- Außendurchmesser
Quantity	- Menge

**POWER SUPPLY
PP-4621**

**- STROMVERSORGUNG
PP-4621**

Translation

- Übersetzung

Phosphor Bronze	- Phosphorbronze
Pin	- Stift
Pin, Pilot	- Führungsstift
Pin, Shoulder, Headed	- Bolzen mit Ansatz
Plate	- Platte
Plate, Cooling	- Kühlplatte
Plate, Designation	- Frontplatte, Beschriftet
Plate Assembly	- Grundplatte
Plug-Board Assembly	- Steckerplatte
Position	- Position
Power Supply Unit	- Stromversorgungseinheit
Reactor	- Drossel
Relay, Armature	- Relais, Elektromagnetisch
Resistor, Fixed	- Widerstand, Fest
Resistor, Variable	- Widerstand, Veränderlich
Rubber	- Gummi
Screw	- Schraube
Screw, Captive	- Unverlierbare Schraube
Seal, Rubber Strip	- Gummidichtung
Secured With	- Befestigt mit
Semiconductor Device, Diode	- Halbleiterdiode
Shield, Protecting	- Schutzschild
Soldering Pin	- Lötstift
Spacer	- Abstandsstück
Spring, Helical, Compression	- Druckschraubenfeder
Stabiliser	- Stabilisator
Steel	- Stahl
Strip	- Streifen
Switch, Rotary	- Drehschalter
Terminal, Lug	- Kabelschuh
Terminal Block	- Anschlußblock
Thick	- Dicke
Total	- Gesamt
Transistor	- Transistor
Washer, Flat	- Unterlegscheibe
Washer, Lead	- Führungsscheibe
Washer, Lock	- Zahnscheibe
Washer, Mica	- Glimmerscheibe
Wiring, Harness	- Kabelbaum